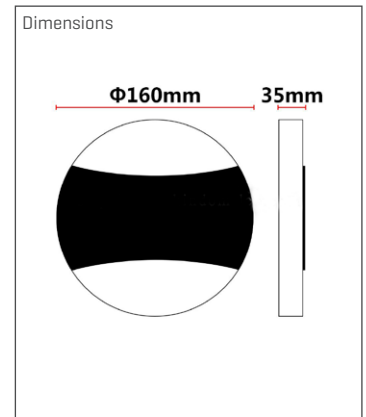


PANDA | Wall Lights

PANDA

- Decorative wall light
- Material: aluminum + PMMA [acrylic]
- Power: 6W
- AC85-265V 50 / 60HZ
- Beam angle: 120 ° upwards and downwards
- IP65
- Lumen: 80 ~ 90 lm / W Ra> 80
- Dimensions: ~ 130 x 35 mm
- Color temperature: WW / NW / W
- Housing: black



Product number	System performance typ. [W]	Light color	Beam characteristic	Luminous flux [lm]	CRI	Control
	■	◆	▲		◐	●
805548-schwarz	6	*WW / NW / W	up/down IP65	80 ~ 90/W Ra>80	Ra>80	-

Article Number | Explanation

Example: HL-■S-HT●-02◆▲C◐

- HL Series
- System performance typ. [W]
- ◆ Light color
- ▲ Beam characteristic
- Control
- ◐ CRI
- * Dimensions [mm]
- × Equipment

For example: HL

HL Series, D=dimmable, 80/100 Watt, 5000K, A2=120°, 60=60°, TA=60°x90°, 8=CRI>80

TRS-STAR GmbH

Werner-von-Siemens-Str. 1
76297 Stutensee

Development, Planning
and Technical Sales
Dipl. Ing. Frank Werz
T +49 6233 347-125
werz@trs-star.com