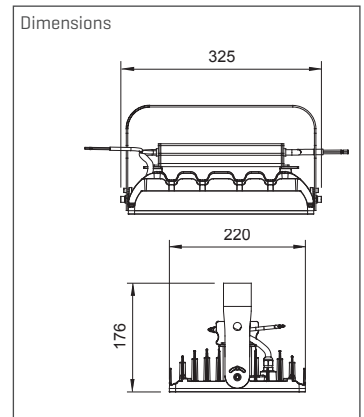




## HLC | Area Light

### HLC-120W / 150W

- Solid die-cast aluminum housing
- Perfect resistant coating
- Rotatable bracket made of stainless steel
- Replaceable driver (plug and play system)
- System efficiency up to 157 lm/W [Ra > 80]
- Equipped with symmetric and asymmetric optical lens
- Dimmable 1-10V optional



Product number	System performance typ. [W]	Light color	Beam characteristic	Luminous flux [lm]	CRI	Control
HLC-■KO-HP●-02◆▲C▷	120 / 150	WD=5000K WN=4000K	A2=120°, 60=60°, TA=60°x90°	18800-22700	8=CRI>80	D=dimmable

### Article Number | Explanation

Example: HL-■S-HT●-02◆▲C▷

- HL Series
- System performance typ. [W]
- ◆ Light color
- ▲ Beam characteristic
- Control
- ▷ CRI
- \* Dimensions [mm]
- x Equipment

For example: HL

HL Series, D=dimmable, 80/100 Watt, 5000K, A2=120°, 60=60°, TA=60°x90°, 8=CRI>80

### TRS-STAR GmbH

Werner-von-Siemens-Str. 1  
76297 Stutensee

Development, Planning  
and Technical Sales  
Dipl. Ing. Frank Werz  
T +49 6233 347-125  
[werz@trs-star.com](mailto:werz@trs-star.com)