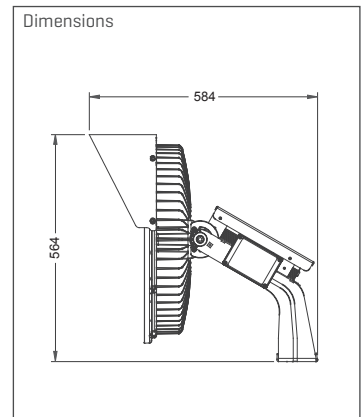




## HBLA | Area Light

### HBLA-650W

- Solid die-cast aluminum housing
- Perfect resistant coating
- Strong bracket support
- Electrical wiring protection
- Precision optical distribution
- System efficiency up to 144 lm/W [ Ra > 70 ]
- Beam angle from 15°-30°-60°-100°



Product number	System performance typ. [W]	Light color	Beam characteristic	Luminous flux [lm]	CRI	Control
HBLA-■S-HPD-02◆▲C▷	180/200	WD=5000K WN=4000K	A2=120°, 60=60°, TA=60°x90°	25560-27000	8=CRI>80	without

### Article Number | Explanation

Example: HL-■S-HT●-02◆▲C▷

- HL Series
- System performance typ. [W]
- ◆ Light color
- ▲ Beam characteristic
- Control
- ▷ CRI
- \* Dimensions [mm]
- x Equipment

For example: HL

HL Series, D=dimnable, 80/100 Watt, 5000K, A2=120°, 60=60°, TA=60°x90°, 8=CRI>80

### TRS-STAR GmbH

Werner-von-Siemens-Str. 1  
76297 Stutensee

Development, Planning  
and Technical Sales  
Dipl. Ing. Frank Werz  
T +49 6233 347-125  
[werz@trs-star.com](mailto:werz@trs-star.com)