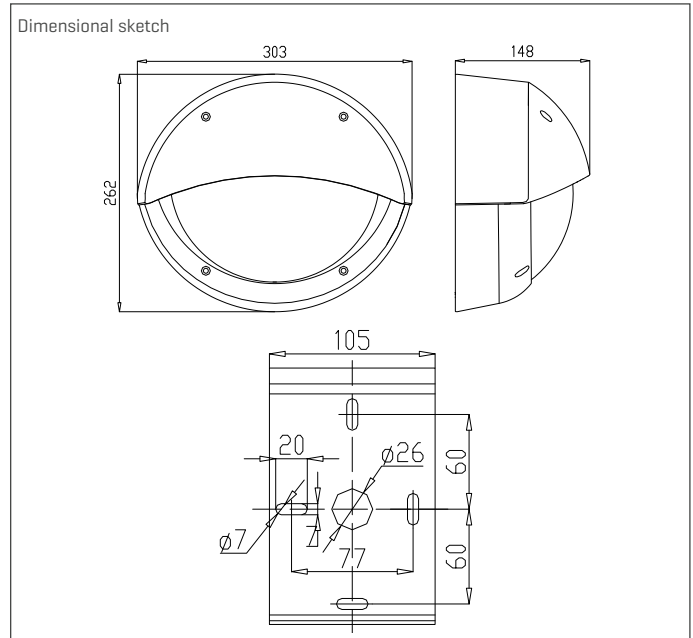


## axior | Wall and ceiling outdoor lights

### axior 6418

- Wall-mounted luminaire
- Stable aluminum housing, powder-coated
- Luminaire glass made of UV-resistant, impact-resistant PMMA
- Wall mounting flange
- Housing color RAL7012, others on request
- Dimension H = 262 | B = 303 | T = 148 [mm]



Designation	Lens [●]	Light Color [◆◆]	System performance [W]	System performance typ. [■■W]	LED assembly	System luminous flux [lm]
64181400◆◆BA-SY	ohne	27/30/40	14	14	COB	1330
64182000◆◆BA-SY	ohne	27/30/40	20	20	COB	1900

- » [LVK: Residential streets, parking lots \[Lenses: A, B, C, D, F, S, V, X\]](#)
- » [LVK: Cable span lights \[Lenses: N, O, U\], Major roads \[Lenses: M, E, Y\], Pedestrian crossings \[Lens: R\]](#)
- » [LVK: Planar radiator / Industrial Lights \[Lenses: F, I, P, 1550, T, SY10, SY20, SY60, SY120\]](#)

### Article number assignments | Explanation

Example: 1202■●00◆◆ME-●16

- 1202 Model number
- System performance typ. e.g. 07 / 13 / 19
- ◆◆ Light color 27=2700K, 30=3000K, 40=4000K, AM=Amber
- BA / ME BA=Basic / ME=Medium
- Lens
- AY HighPower LED
- 16 MidPower LED

E.g. 1202190030ME-S16

Model 1202, 19 Watt, 3000K, Medium, MidPower LED with S-Lens

### TRS-STAR GmbH

Werner-von-Siemens-Str. 1  
76297 Stutensee

Planning and technical sales  
Dipl. Ing. Frank Werz  
T +49 6233 347-125  
[werz@trs-star.com](mailto:werz@trs-star.com)