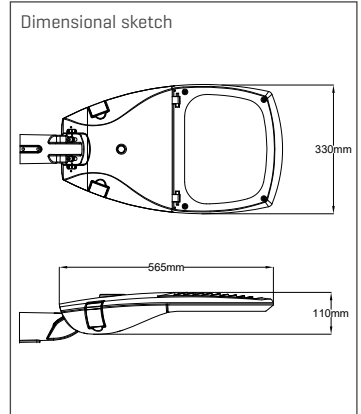


## axhena | Technical Street Lights

### axhena 1601

- functional technical design
- ESG luminaire glass
- Optics PMMA lenses in multilayer technology
- Housing made of powder-coated aluminum
- Side-entry, post-top with spigot size 60/76 mm
- Inclination angle adjustable from -10 ° to + 15 °
- Dimensions: H = 110 | B = 330 | T = 565 (mm)
- Total weight 6.7 kg
- Can be opened without tools
- Power reduction switching phase ChronoStep, Dali
- Housing color DB703, others on request
- Dielectric strength 10k



| Designation      | Lens [●]    | Light Color [◆◆] | System performance [W] | System performance typ. [■■W] | LED assembly | System luminous flux [lm] |
|------------------|-------------|------------------|------------------------|-------------------------------|--------------|---------------------------|
| 1601■●00◆◆ME-●AY | S/X/C/B/M/E | 27/30/40         | 7 - 19                 | 07/13/19                      | 1 x 2x4      | 846 - 2362                |
| 1601■●00◆◆ME-●AY | S/X/C/B/M/E | 27/30/40         | 18 - 32                | 18/22/32                      | 2 x 2x4      | 2208 - 4175               |
| 1601■●00◆◆ME-●16 | Y/V/M/S/B   | AM/27/30/40      | 7 - 19                 | 07/13/19                      | 1 x 4x8      | 1144 - 3017               |
| 1601■●00◆◆ME-●16 | Y/V/M/S/B   | AM/27/30/40      | 18 - 32                | 18/22/32                      | 2 x 4x8      | 2985 - 5023               |

- » [LVK: Residential streets, parking lots \[Lenses: A, B, C, D, F, S, V, X\]](#)
- » [LVK: Cable span lights \[Lenses: N, O, U\], Major roads \[Lenses: M, E, Y\], Pedestrian crossings \[Lens: R\]](#)
- » [LVK: Planar radiator / Industrial Lights \[Lenses: F, I, P, 1550, T, SY10, SY20, SY60, SY120\]](#)

### Article number assignments | Explanation

Example: 1202■●00◆◆ME-●16

- 1202 Model number
- System performance typ. e.g. 07 / 13 / 19
- ◆◆ Light color 27=2700K, 30=3000K, 40=4000K, AM=Amber
- BA / ME BA=Basic / ME=Medium
- Lens
- AY HighPower LED
- 16 MidPower LED

E.g. 1202190030ME-S16

Model 1202, 19 Watt, 3000K, Medium, MidPower LED with S-Lens

### TRS-STAR GmbH

Werner-von-Siemens-Str. 1  
76297 Stutensee

Planning and technical sales  
Dipl. Ing. Frank Werz  
T +49 6233 347-125  
[werz@trs-star.com](mailto:werz@trs-star.com)