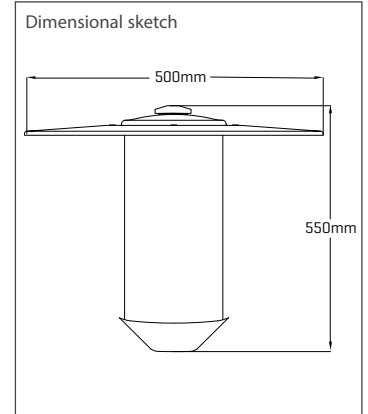


axares | Decorative Street Lights

axares 2304

- △ classic lantern-shaped lamp
- △ Luminaire glass PMMA clear or satined
- △ Optics PMMA lenses in multilayer technology
- △ Housing made of powder-coated aluminum
- △ Post-top with spigot size 60/76 mm
- △ Dimensions: H = 550 | \varnothing = 500 (mm)
- △ Total weight 7.2 kg
- △ Degree of protection: IP65, protection class I
- △ Power reduction switching phase, ChronoStep, Dali
- △ Housing color RAL9005, others on request
- △ Dielectric strength 10kV



Designation	Lens (●)	Light Color (◆◆)	System performance (W)	System performance typ. (■ ■ W)	LED assembly	System luminous flux (lm)
2304■ ■ 00◆ ◆ ME-●AY	S/X/C/B	27/30/40	7 - 19	07/13/19	1 x 2x4	846 - 2362
2304■ ■ 00◆ ◆ ME-●AY	S/X/C/B	27/30/40	18 - 32	18/22/32	2 x 2x4	2208 - 4175
2304■ ■ 00◆ ◆ ME-●16	Y/V/M/S/B	AM/27/30/40	7 - 19	07/13/19	1 x 4x8	1144 - 3017
2304■ ■ 00◆ ◆ ME-●16	Y/V/M/S/B	AM/27/30/40	18 - 32	18/22/32	2 x 4x8	2985 - 5023

- » [LVK: Residential streets, parking lots \(Lenses: A, B, C, D, F, S, V, X\)](#)
- » [LVK: Cable span lights \(Lenses: N, O, U\), Major roads \(Lenses: M, E, Y\), Pedestrian crossings \(Lens: R\)](#)
- » [LVK: Planar radiator / Industrial Lights \(Lenses: F, I, P, 1550, T, SY10, SY20, SY60, SY120\)](#)

Article number assignments | Explanation

Example: 1202■ ■ 00◆ ◆ ME-●16

- 1202 Model number
- ■ System performance typ. e.g. 07 / 13 / 19
- ◆ ◆ Light color 27=2700K, 30=3000K, 40=4000K, AM=Amber
- BA / ME BA=Basic / ME=Medium
- Lens
- AY HighPower LED
- 16 MidPower LED

E.g. 1202190030ME-S16
Model 1202, 19 Watt, 3000K, Medium, MidPower LED with S-Lens

TRS-STAR GmbH

Werner-von-Siemens-Str. 1
76297 Stutensee

Planning and technical sales
Dipl. Ing. Frank Werz
T +49 6233 347-125
werz@trs-star.com