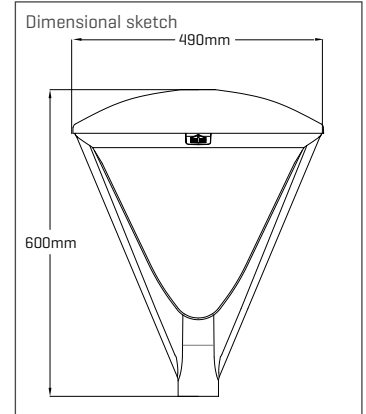
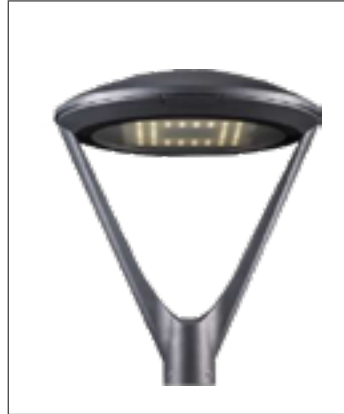


axares | Decorative Street Lights

axares 2005

- classic functional design
- ESG luminaire glass
- Optics PMMA lenses in multilayer technology
- Housing made of powder-coated aluminum
- Post-top with spigot size 60/76 mm
- Dimensions: ø 490 | H = 600 (mm)
- Total weight 8.6 kg
- Can be opened without tools
- Power reduction switching phase, ChronoStep, DALI
- Switching phase and ChronoStep, DALI
- Housing color RAL9023, others on request
- Dielectric strength 10kV



| Designation | Lens [●] | Light Color [◆◆] | System performance [W] | System performance typ. [■■W] | LED assembly | System luminous flux [lm] |
|------------------|-----------|------------------|------------------------|-------------------------------|--------------|---------------------------|
| 2005■●00◆◆ME-●AY | S/X/C/B | 27/30/40 | 7 - 19 | 07/13/19 | 1 x 2x4 | 846 - 2362 |
| 2005■●00◆◆ME-●AY | S/X/C/B | 27/30/40 | 18 - 32 | 18/22/32 | 2 x 2x4 | 2208 - 4175 |
| 2005■●00◆◆ME-●16 | Y/V/M/S/B | AM/27/30/40 | 7 - 19 | 07/13/19 | 1 x 4x8 | 1144 - 3017 |
| 2005■●00◆◆ME-●16 | Y/V/M/S/B | AM/27/30/40 | 18 - 32 | 18/22/32 | 2 x 4x8 | 2985 - 5023 |

- » [LVK: Residential streets, parking lots \[Lenses: A, B, C, D, F, S, V, X\]](#)
- » [LVK: Cable span lights \[Lenses: N, O, U\], Major roads \[Lenses: M, E, Y\], Pedestrian crossings \[Lens: R\]](#)
- » [LVK: Planar radiator / Industrial Lights \[Lenses: F, I, P, 1550, T, SY10, SY20, SY60, SY120\]](#)

Article number assignments | Explanation

Example: 1202■●00◆◆ME-●16

- 1202 Model number
- System performance typ. e.g. 07 / 13 / 19
- ◆◆ Light color 27=2700K, 30=3000K, 40=4000K, AM=Amber
- BA / ME BA=Basic / ME=Medium
- Lens
- AY HighPower LED
- 16 MidPower LED

E.g. 1202190030ME-S16

Model 1202, 19 Watt, 3000K, Medium, MidPower LED with S-Lens

TRS-STAR GmbH

Werner-von-Siemens-Str. 1
76297 Stutensee

Planning and technical sales
Dipl. Ing. Frank Werz
T +49 6233 347-125
werz@trs-star.com