



# IQ Smart Technology™

nA-class brings your application to the next level of overall efficiency!

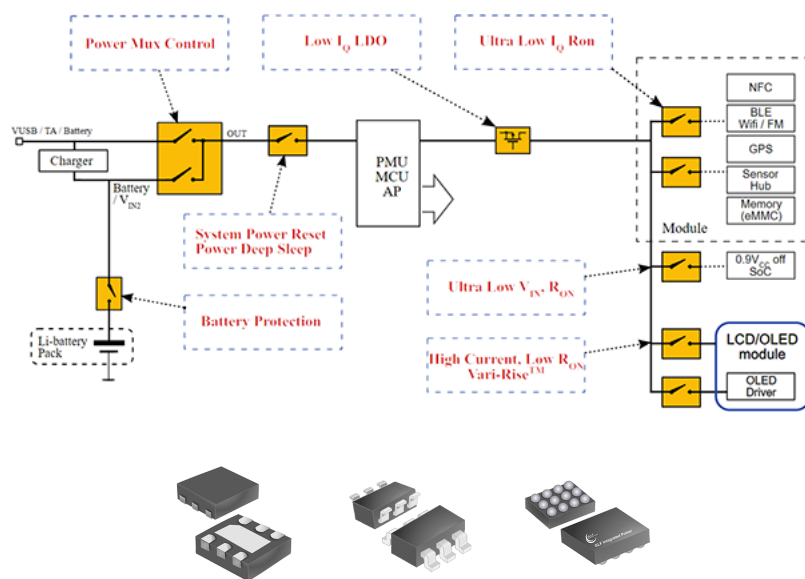
Dear Mr. Martin,

TRS-STAR is glad to announce the cooperation with GLF Integrated Power, the experts of nA-class energy saving solutions.



GLF Integrated Power was founded in 2013 in Santa Clara, California and has become the second largest manufacturer for high efficiency Load-Switch ICs in the market.

The company is ISO9001 certified and is manufacturing according to ISO/TS16949. Products for automotive use are AEC-Q100 certified.



## Product Portfolio

### Load Switches for Industrial & Automotive (AEC-Q100 qualified)

Highly integrated low-on resistance switches with ultra-low off-state leakage and system protection features for best-in-class power distribution purposes.



[Product Overview: Power Load Switches](#)

### Power MUX ICs (Single- / Dual Output)

Fast and seamless selection and transition between two input sources and protection from high voltage conditions on circuit outputs.



[Product Overview: Power Mux ICs](#)

### System Power Reset & Power Deep Sleep

Ultra-low power mode for significant extension of battery lifetime including system protection features for ultra compact design.



[Product Overview: Power Reset ICs](#)

### Battery Protection ICs

Ultra-low leakage current ICs for improvement of standby performance of battery driven devices. Significantly reduces the discharge of batteries during standby- or deep-sleep mode.



[Product Overview: Battery Protection ICs](#)

### Current Limit Power Switch

Precise Power limiting switch for reliable output system protection. Fully output protection by providing under voltage lock-out (UVLO), True Reverse Current Blocking (TRCB), Short Circuit and thermal switch-off.



[Product Overview: Current Limit Power Switch](#)

#### Contact

Phone: 07249 95222-109

E-Mail: [power@trs-star.com](mailto:power@trs-star.com)

#### More Informations:

Tel.: +49 7249 95222-0 · E-Mail: [info@trs-star.com](mailto:info@trs-star.com) · [www.trs-star.com](http://www.trs-star.com)